

Technical data sheet



Product features

Cooking range gas 2x burner without cabinet

Model	SAP Code	00004112
--------------	-----------------	----------



- Device type: Gas unit
- Power consumption of the zone 1 [kW]: 4,5
- Power consumption of the zone 2 [kW]: 4,5
- Protection of controls: IPX4
- Material: AISI 304 top plate, AISI 430 cladding

SAP Code	00004112	Power gas [kW]	9.000
Net Width [mm]	328	Type of gas	Natural gas, propane butane
Net Depth [mm]	609	Number of zones	2
Net Height [mm]	290	Power consumption of the zone 1 [kW]	4,5
Net Weight [kg]	16.00	Power consumption of the zone 2 [kW]	4,5

Technical data sheet



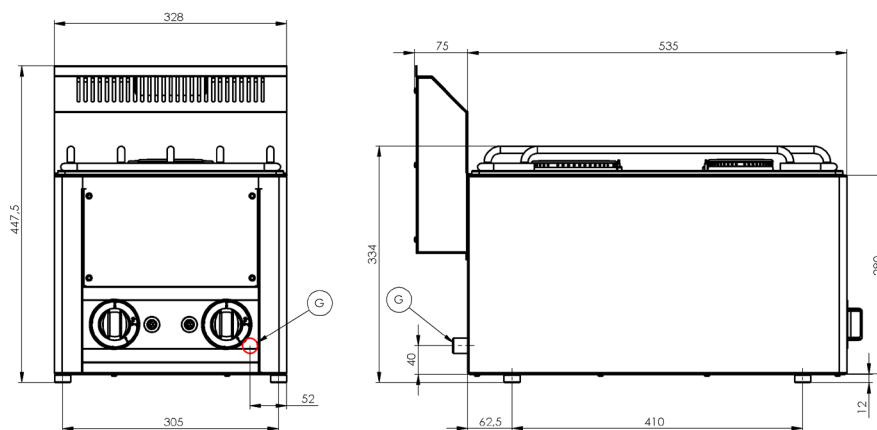
Technical drawing

Cooking range gas 2x burner without cabinet

Model

SAP Code

00004112



Cooking range gas 2x burner without cabinet

Model

SAP Code

00004112

1

Centered high performance burners

high performance and efficiency
brass burners removable
eternal flame
long life
demountable

- energy saving (perfect combustion)
- time saving for food preparation
- easy maintenance/cleaning

2

Hygienic moldings of the top plate

absence of sharp corners and edges (potential places where dirt could stick)
smooth transitions

- easy quick cleaning

3

Degree of protection of the control elements IPX4

maintenance-free system
resistance to splash water
long life

- savings on service interventions
- greater job security for staff

4

All-stainless design

long life
resistance of a ground steel plate with a thickness of 10 mm

- savings on service interventions
- easy cleaning and maintenance of equipment

5

Safety element - thermocouple

safe service for staff
there is no unnecessary gas leakage
long life

- savings on service interventions
- easier and faster operation

6

Cooking unit for use on a table or on a base

variable use
the possibility of placement in smaller spaces

- easy handling
- cost savings on substructure

7

Removable basin under the burners

removable top plate without tools

- easier cleaning
- dishwasher safe
- easier servicing

Technical data sheet



Technical parameters

Cooking range gas 2x burner without cabinet

Model

SAP Code

00004112

1. SAP Code:

00004112

2. Net Width [mm]:

328

3. Net Depth [mm]:

609

4. Net Height [mm]:

290

5. Net Weight [kg]:

16.00

6. Gross Width [mm]:

650

7. Gross depth [mm]:

366

8. Gross Height [mm]:

440

9. Gross Weight [kg]:

18.00

10. Device type:

Gas unit

11. Construction type of device:

Table top

12. Power gas [kW]:

9.000

13. Type of gas:

Natural gas, propane butane

14. Protection of controls:

IPX4

15. Material:

AISI 304 top plate, AISI 430 cladding

16. Worktop material:

AISI 304

17. Worktop Thickness [mm]:

0.80

18. Number of zones:

2

19. Power consumption of the zone 1 [kW]:

4,5

20. Power consumption of the zone 2 [kW]:

4,5

21. Number of power control stages:

6

22. Adjustable feet:

Yes

23. Number of burners/hot plates:

2

24. Type of gas cooking zones:

Brass burners

25. Connection to a ball valve:

1/2